

# **dacor**®

The Life of the Kitchen.®

## **PARTS CATALOG**

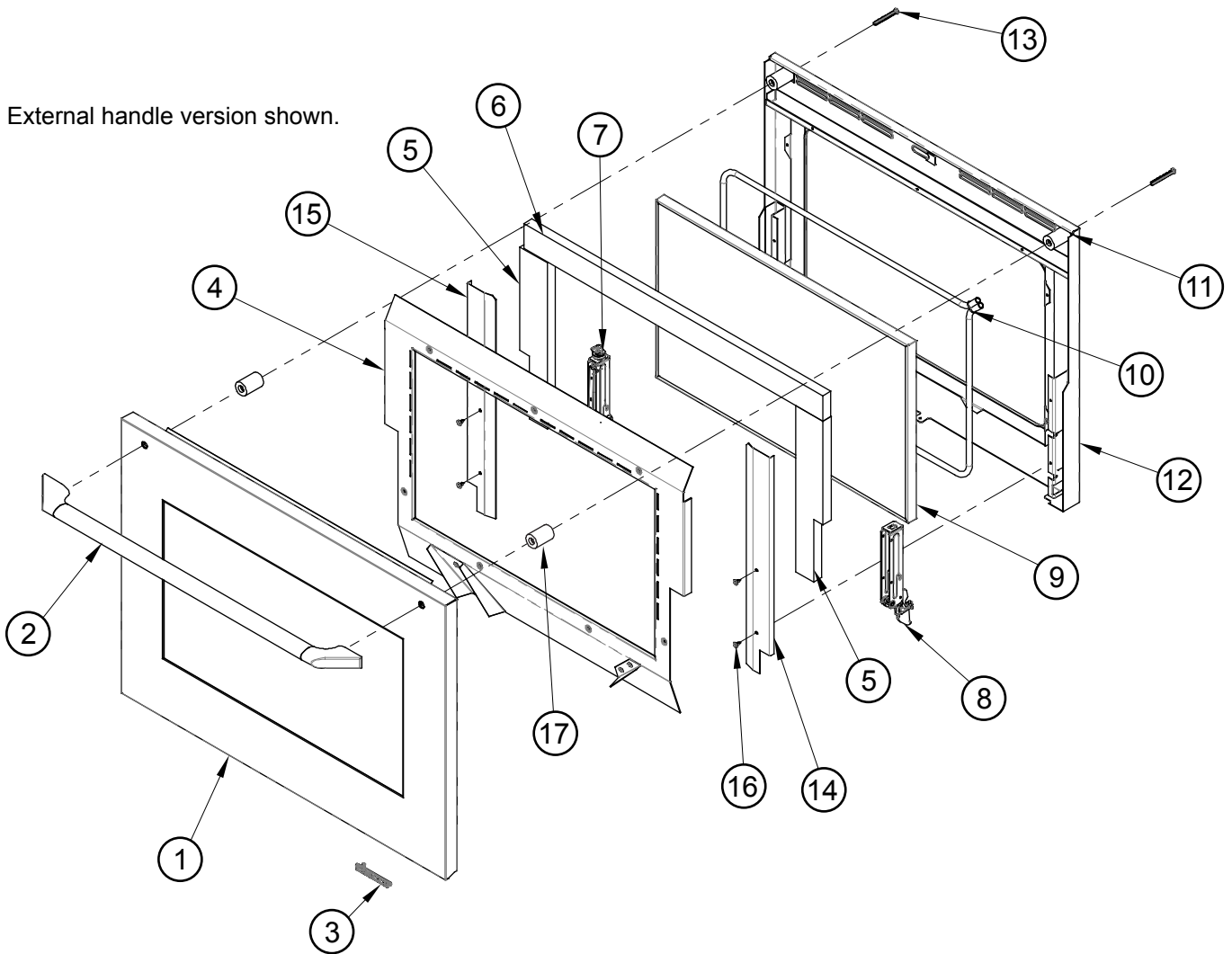
### **DY0230/DYOV230 Wall Oven**

<b>Page #</b>	<b>Description</b>
<b>2</b>	<b>Door Assembly</b>
<b>3</b>	<b>Door Parts</b>
<b>4</b>	<b>Chassis Assembly - Front</b>
<b>5</b>	<b>Chassis Parts - Front</b>
<b>6</b>	<b>Chassis Assembly - Rear</b>
<b>7</b>	<b>Control Panel</b>
<b>8</b>	<b>Sub-Chassis Electrical Components</b>
<b>9</b>	<b>Oven Cell Components</b>
<b>10</b>	<b>Miscellaneous Components</b>

Revised 04-09-2015

# DY0230/DYOV230 Wall Oven Door Assy

External handle version shown.



# DYO230/DYOV230 Wall Oven Door Parts

## Complete Door Assemblies\*

Part #	Description
701475-01	COMPLETE TOP DOOR ASSEMBLY, DYO230B
701475-02	COMPLETE BOTTOM DOOR ASSEMBLY, DYO230B
701698-03	COMPLETE TOP DOOR ASSEMBLY, DYO230FS
701698-04	COMPLETE BOTTOM DOOR ASSEMBLY, DYO230FS
701426-01	COMPLETE TOP DOOR ASSEMBLY, DYO230S
701426-02	COMPLETE BOTTOM DOOR ASSEMBLY, DYO230S
701503-01	COMPLETE TOP DOOR ASSEMBLY, DYOV230B
701503-02	COMPLETE BOTTOM DOOR ASSEMBLY, DYOV230B

\* Complete door assembly cannot be ordered without RTM approval.

## Door Components

Item	Part #	Description
<b>1</b>	701474	ASSEMBLY, DOOR SKIN, DYO230B
	701697	ASSEMBLY, DOOR SKIN, DYO230FS
	701427-01	ASSEMBLY, DOOR SKIN, DYO230S
	701759	ASSEMBLY, DOOR SKIN, DYOV230B
<b>2</b>	13659-001	ASSEMBLY, DOOR HANDLE, STAINLESS
	13659-019	ASSEMBLY, DOOR HANDLE, BLACK
<b>3</b>	72510CH <sup>1</sup>	LOGO, DACOR, 3", CHROME <sup>1</sup>
<b>4</b>	107221B	HEAT SHIELD
<b>5</b>	105353	INSULATION, SIDE DOOR
<b>6</b>	105352	INSULATION, TOP DOOR
<b>7</b>	72711	HINGE, LEFT
<b>8</b>	72710	HINGE, RIGHT

Item	Part #	Description
<b>9</b>	72968	WINDOW PACK
<b>10</b>	100015	GASKET, WINDOW PACK
<b>11</b>	701428-01 <sup>2</sup>	ASSEMBLY, DOOR LINER, DYO230S
	701428-02 <sup>2</sup>	ASSEMBLY, DOOR LINER, DYO230B, DYOV230B,
	701428-05 <sup>2</sup>	ASSEMBLY, DOOR LINER, RO230FS
<b>12</b>	701430BP <sup>3</sup>	DOOR LINER
<b>13</b>	100026	SCREW, #10-32 X 2.0, TORX
<b>14</b>	105510-01	HINGE BRACKET COVER, RIGHT
<b>15</b>	105510-02	HINGE BRACKET COVER, LEFT
<b>16</b>	83263	SCREW, PHIL TRS, #8 X 3/8, BLACK
<b>17</b>	72793	SPACER, DOOR

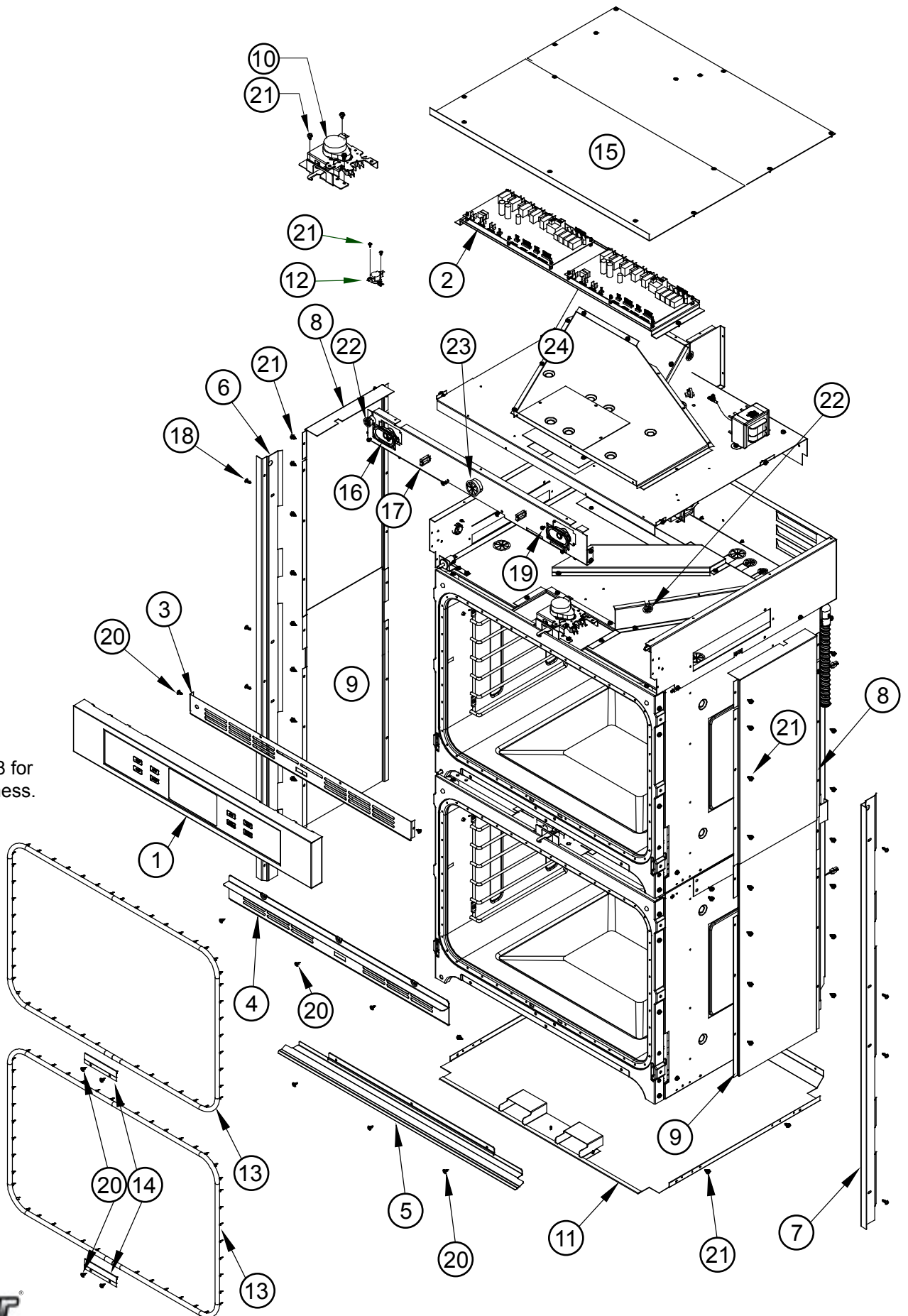
<sup>1</sup> For use on upper door only.

<sup>2</sup> Pre-assembled, includes door liner, window pack w/ gasket, hinges, hinge covers, all insulation, heat shields, air deflectors.

<sup>3</sup> Door liner alone.

# DYO[V]230 Wall Oven Chassis Assembly - Front

See page 8 for wiring harness.



# DYO[V]230 Wall Oven Chassis Parts - Front

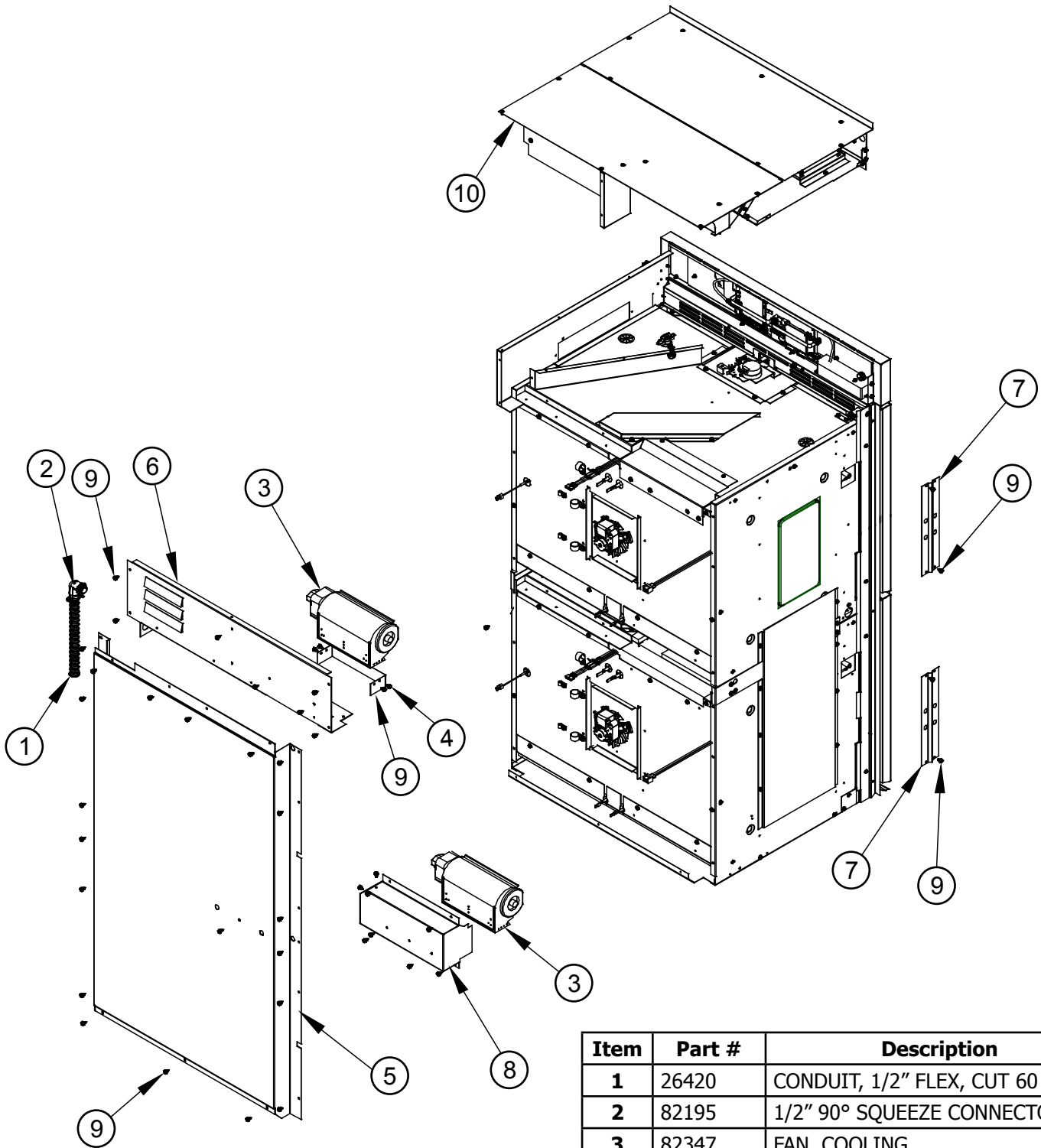
Item	Part #	Description
<b>1</b> <sup>1</sup>	-	ASSY, BEZEL/CAPACITIVE TOUCH <sup>1</sup>
<b>2</b> <sup>2</sup>	-	SUB-CHASSIS <sup>2</sup>
<b>3</b>	105357-01B	INTAKE GRILL, UPPER
<b>4</b>	701595-01B	INTAKE GRILL, LOWER
<b>5</b>	105350B	EXHAUST GRILL, DYO[V]230B
	107735	EXHAUST GRILL, DYO230S
	107280	EXHAUST GRILL, DYO230FS
<b>6</b>	105389-02B	TRIM POST, LEFT
<b>7</b>	105389-01B	TRIM POST, RIGHT
<b>8</b>	105462	HEAT SHIELD, DUCT
<b>9</b>	105463	HEAT SHIELD, LOWER DUCT
<b>10</b>	100090	DOOR LATCH (2 PER UNIT)
<b>11</b>	701423	ASSEMBLY, EXHAUST PLATE
<b>12</b>	92321	HIGH LIMIT SWITCH (2 PER UNIT)

<sup>1</sup> See page 7 for individual components

Item	Part #	Description
<b>13</b>	105366	DOOR GASKET
<b>14</b>	105468BP	DOOR GASKET COVER
<b>15</b>	Reference	TOP COVER
<b>16</b>	107462	SPEAKER
<b>17</b>	92023-01	CABLE SADDLE
<b>18</b>	83709	SCREW, #8 X 1/2", TORX, BLK
<b>19</b>	83001	TRIM POST, LEFT
<b>20</b>	83263	SCREW, PHIL WFR HD, #8 X 3/8"
<b>21</b>	83023	SCREW, SLOT HWH #10 X 3/8 THD
<b>22</b>	92191-01	BUSHING, SPLIT .75"
<b>23</b>	92191-03	BUSHING, SPLIT 1.375"

<sup>2</sup> See page 8 for individual components

# DYO[V]230 Wall Oven Chassis Assembly - Rear

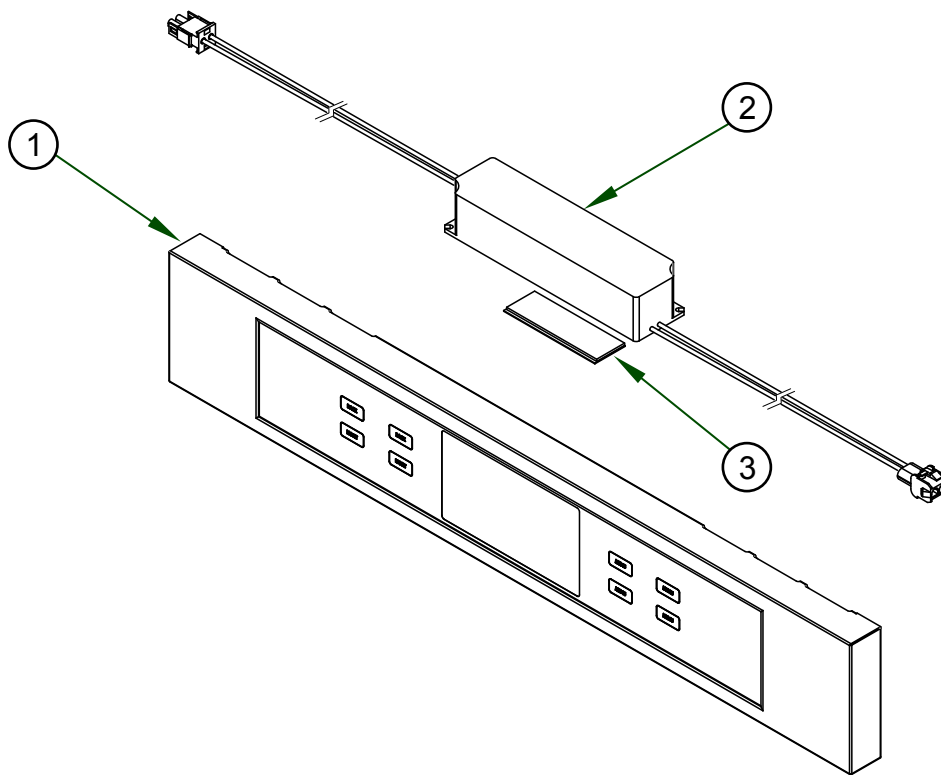


See page 8 for wiring harness.

Item	Part #	Description
1	26420	CONDUIT, 1/2" FLEX, CUT 60 INCH*
2	82195	1/2" 90° SQUEEZE CONNECTOR
3	82347	FAN, COOLING
4	105858	EXTENSION, COOLING FAN
5	105358	COVER, BACK
6	105866	COVER, TOP REAR
7	105478	COVER, MEAT PROBE WIRE
8	105386	COVER, LOWER COOLING FAN
9	83023	SCREW, SLOT HWH #10 X 3/8 THD
10	Reference	TOP COVER

\* Wires not included

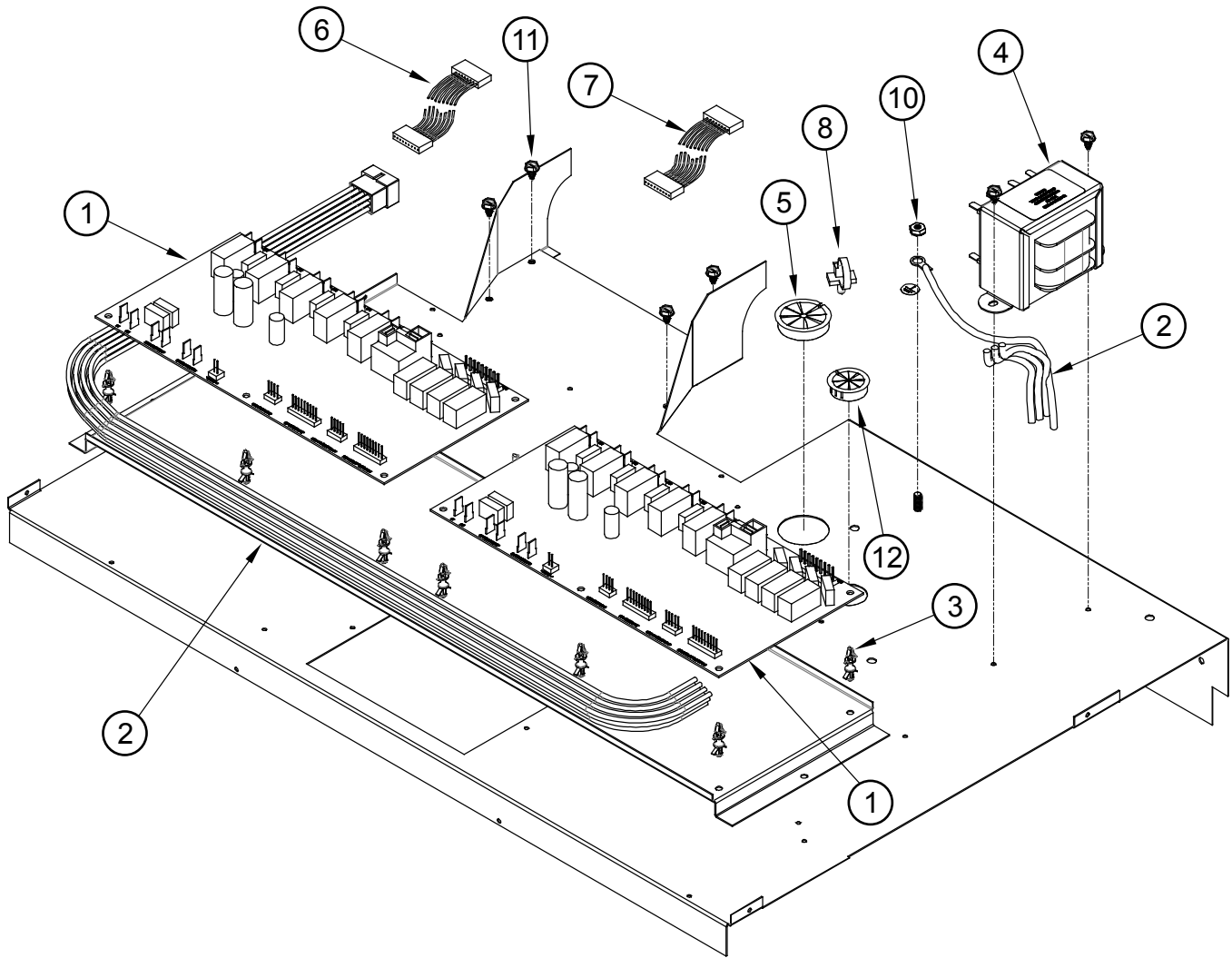
# DYO[V]230 Wall Oven Control Panel Assembly



Item	Part #	Description
1*	SEE NOTE	ASSEMBLY, BEZEL/CAPACITIVE TOUCH
2	107696	POWER SUPPLY ASSEMBLY
3	83209	VELCRO (2 PIECES)

\* Part number depends on serial number of unit. Call Dacor at 800-793-0093. Please have serial number ready when you call.

# DYO[V]230 Sub-Chassis Electrical Components

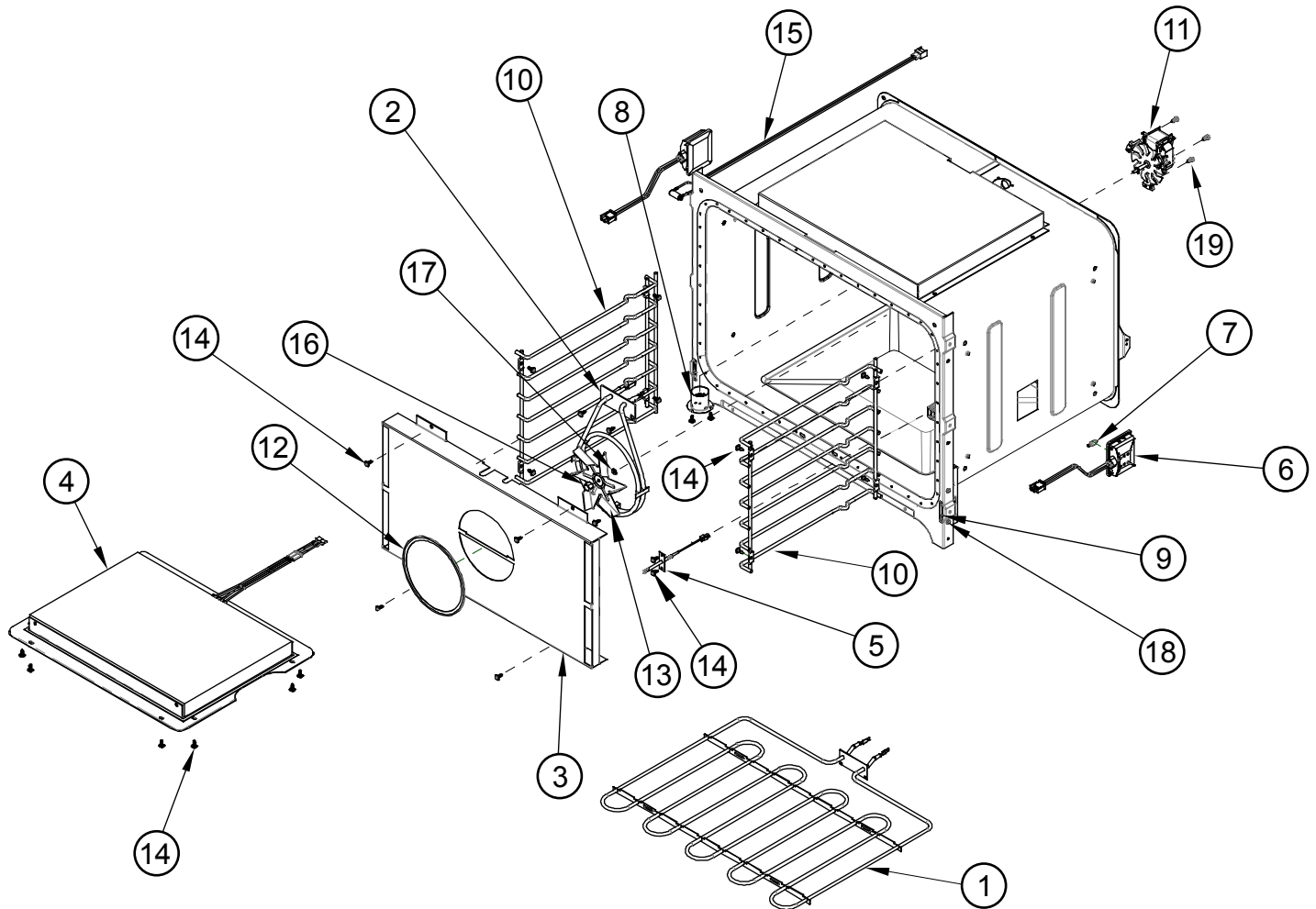


Item	Part #	Description
1*	SEE NOTE	RELAY BOARD
2	107399	WIRING HARNESS, MAIN
3	83538	PCB SUPPORT, NYLON
4	100832	TRANSFORMER, LIGHT
5	92191-03	BUSHING, SPLIT 1.375"
6	107455	CABLE, RELAY BOARD TO INTERFACE BOARD, UPPER
7	107456	CABLE, RELAY BOARD TO INTERFACE BOARD, LOWER
8	83037	TIE, PUSH MOUNT
9	107400	WIRING HARNESS, LOW VOLTAGE (not shown)
10	83009	NUT, KEPS, #10-24
11	83023	SCREW, SLOT HWH #10 X 3/8 THD
12	92191-02	BUSHING, SPLIT 1.00"

\* Part number depends on serial number of unit. Call Dacor at 800-793-0093. Please have serial number ready when you call.



# DYO[V]230 Wall Oven Cell Components



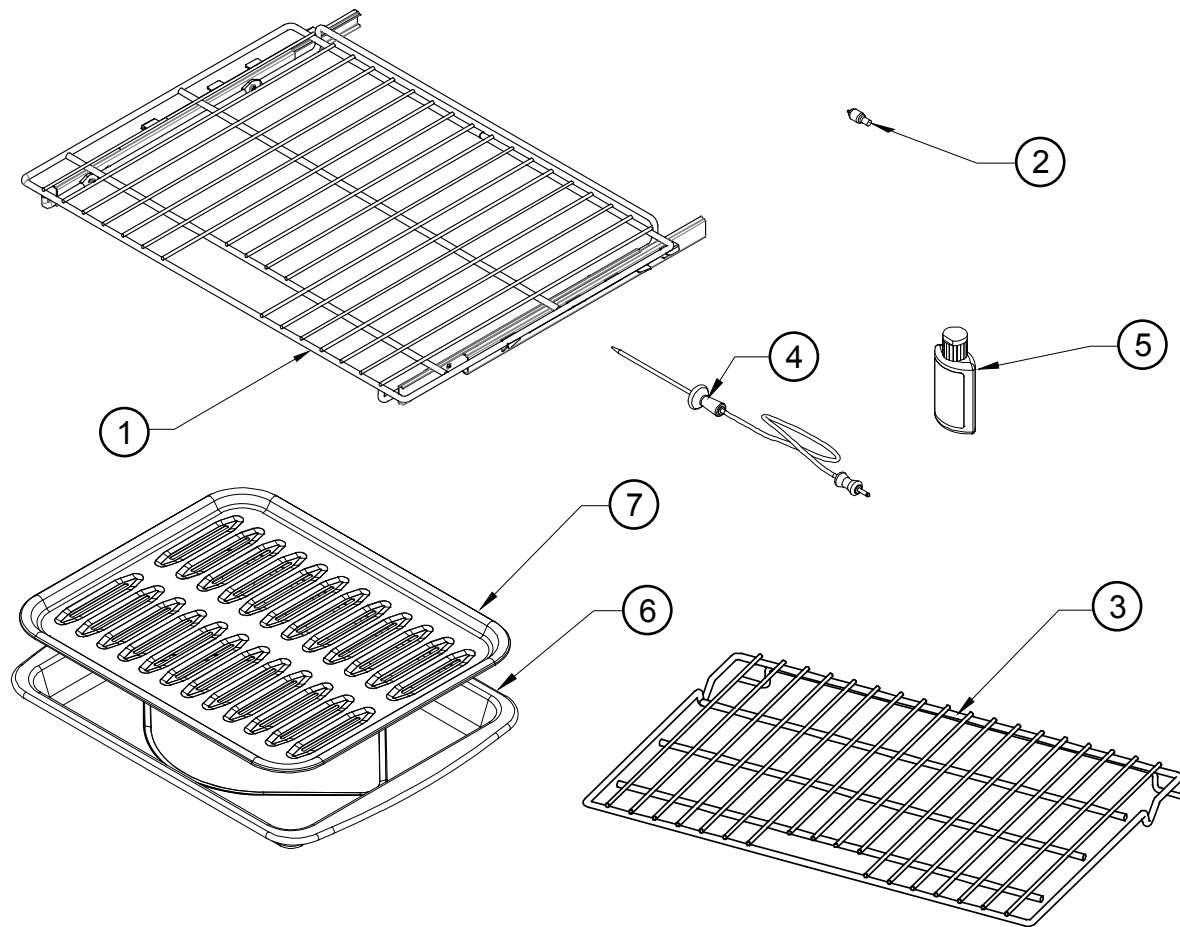
Item	Part #	Description
1	106898	BAKE ELEMENT (3000W)
2	82377	CONVECTION ELEMENT (2200W)
3	105329BP	CONVECTION BAFFLE
4	701529 <sup>1</sup>	BROIL ASSEMBLY <sup>1</sup> (3500W)
5	72752	SENSOR, TEMPERATURE
6	92398	ASSEMBLY, HALOGEN LIGHT, 12V, 20W
7	100429	BULB, HALOGEN, 12V, 20W
8	72755	SMOKE ELIMINATOR
9	72348	HINGE RECEPTACLE
10	106991	RACK SUPPORT

<sup>1</sup> Broil assembly includes element, glass and frame.  
Glass only: PN 72160

Item	Part #	Description
11	700633 <sup>2</sup>	KIT, CONVECTION FAN <sup>2</sup>
12	82891	FILTER, CONVECTION
13	101511	CONVECTION FAN BLADE
14	83708	SCREW, TORX WAFER HEAD, #8 X 1/2"
15	72717	MEAT PROBE SOCKET
16	102137	HEX NUT, CONVECTION FAN
17	102136	WASHER, CONVECTION FAN
18	83661	SCREW, WASHER HEAD #8 X 3/8
19	83379	SCREW, #8-1/2 THREAD TYPE A

<sup>2</sup> Kit includes motor, fan blade, fan blade washer and mounting nut.

# DYO[V]230 Wall Oven Miscellaneous Parts



Item	Part #	Description
1	701464	OVEN RACK, GLIDERACK TYPE
2	100429	BULB, HALOGEN, 12 V, 20 W
3	106992	OVEN RACK, STANDARD
4	72723	MEAT PROBE
5	100852	STAINLESS STEEL CLEANER
6	82107	PORCELAIN PAN
7	82106	PORCELAIN GRILL